

SNP6-VF/SNP6-IF



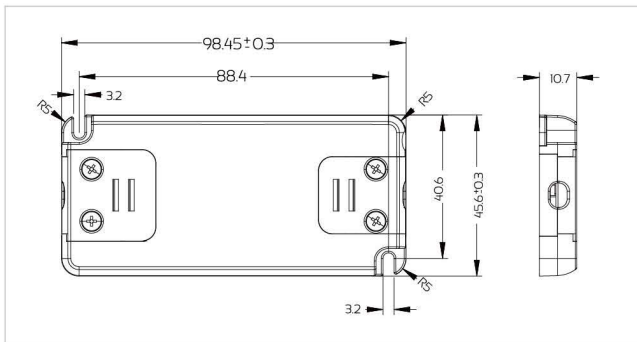
Super thin 10.7 mm
Thickness only

Reliable Technical Data

- Rated Input Voltage:200-240VAC
 - Input Frequency:50/60Hz
 - Output Power:6W
 - Body: PC
 - Open Circuit; Short Circuit; Over Load;
 - Over Heat Protection
-
- Safety According to EN61347-1, EN61347-2-13
 - EMI According to EN55015
 - EMS According to EN61000-3-2; EN61000-3-3; EN61547
 - EMF According to EN62493-2010
 - ERP According to EN1194-2012



Dimension in mm



NEW direct plug-in feature

Characteristics

Rated input voltage: AC200-240V 50/60Hz (power factor measured at AC230V and full load)

Model No.	Constant output voltage	Load	Max output current	PF	Ta	Tc	L x W x H
SNP6-12VF	12V	0-6W	0.5A	≥0.5	45°C	80°C	98.4x45.6x10.7
SNP6-24VF	24V	0-6W	0.25A	≥0.5	45°C	80°C	98.4x45.6x10.7

Model No.	Constant output current	Load	Max output voltage	PF	Ta	Tc	L x W x H
SNP6-350IF	350mA	0-6W	17.5VDC	≥0.5	45°C	80°C	98.4x45.6x10.7
SNP6-500IF	500mA	0-6W	12VDC	≥0.5	45°C	80°C	98.4x45.6x10.7
SNP6-700IF	700mA	0-6W	9VDC	≥0.5	45°C	80°C	98.4x45.6x10.7

