

SNP40-VF/SNP40-IF



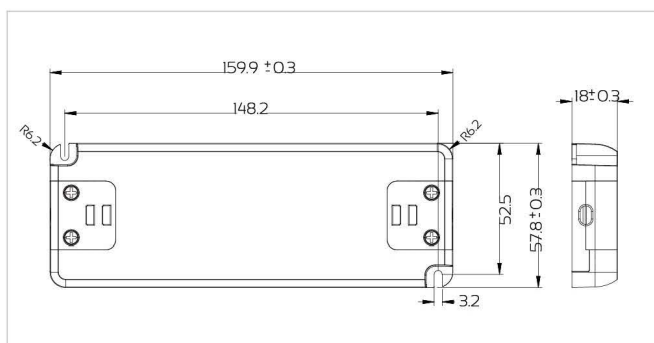
Reliable Technical Data

- Rated Input Voltage:200-240VAC
- Input Frequency:50/60Hz
- Output Power:40W
- Body: PC
- Open Circuit; Short Circuit; Over Load;
- Over Heat Protection

- Safety According to EN61347-1, EN61347-2-13
- EMI According to EN55015
- EMS According to EN61000-3-2; EN61000-3-3; EN61547
- EMF According to EN62493-2010
- ERP According to EN1194-2012



Dimension in mm



Characteristics

Rated input voltage: AC200-240V 50/60Hz (power factor measured at AC230V and full load)

Model No.	Constant output voltage	Load	Max output current	PF	Ta	Tc	L x W x H
SNP40-12VF	12V	0-40W	3.333A	≥0.9	45°C	80°C	159.9x57.8x18
SNP40-24VF	24V	0-40W	1.667A	≥0.9	45°C	80°C	159.9x57.8x18

Model No.	Constant output current	Load	Max output voltage	PF	Ta	Tc	L x W x H
SNP40-500IF	500mA	20-40W	80VDC	≥0.9	45°C	80°C	159.9x57.8x18
SNP40-700IF	700mA	20-40W	57VDC	≥0.9	45°C	80°C	159.9x57.8x18
SNP40-1050IF	1050mA	20-40W	38VDC	≥0.9	45°C	80°C	159.9x57.8x18
SNP40-1400IF	1400mA	19.6-40W	29VDC	≥0.9	45°C	80°C	159.9x57.8x18
SNP40-2100IF	2100mA	21-40W	19VDC	≥0.9	45°C	80°C	159.9x57.8x18

